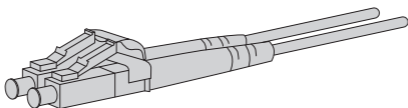


FIBER OPTIC PATCH CABLES

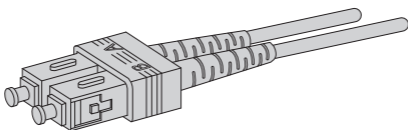
Quick Start Guide **V1.0**

1

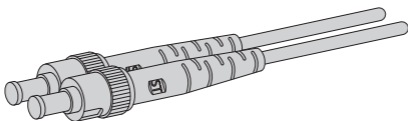
Product View



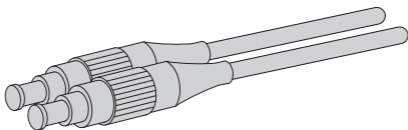
LC-Lucent Connector



SC-Subscriber Connector

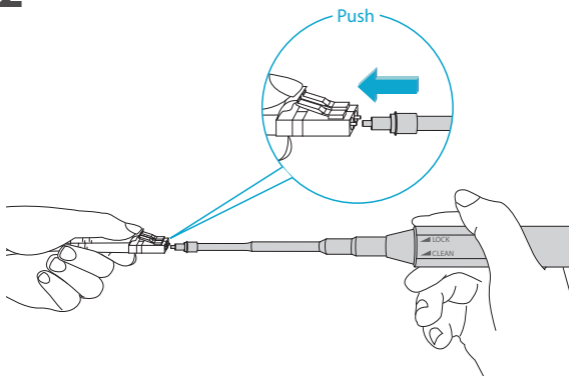


ST-Straight Tip

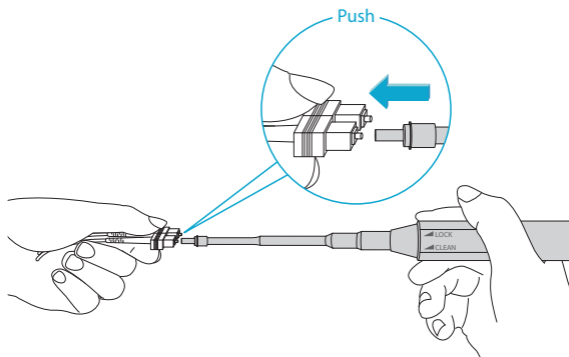


FC-Ferrule Connector

2



1.25mm Pen One-Push Cleaner used to clean LC connectors.

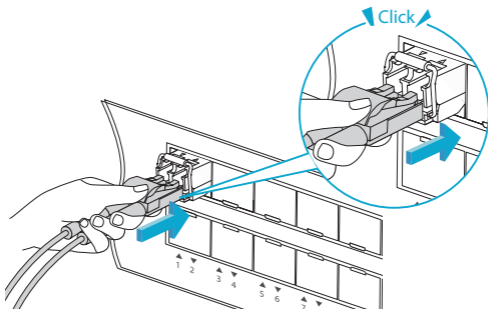


2.5mm Pen One-Push Cleaner used to clean SC/ST/FC connectors.

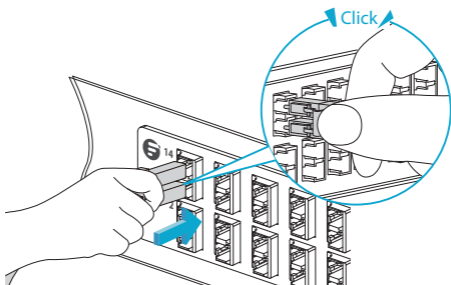
3

LC

Install the LC Connector into Transceiver Module



Install the LC Connector into Adapter

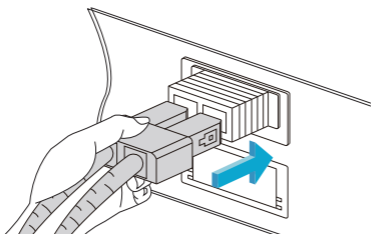


NOTE:

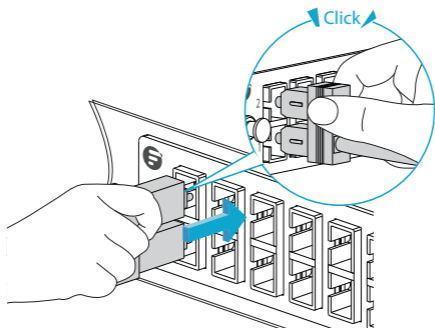
1. When installing, align the key on the connector body with the keyway on the transceiver or adapter.
2. When removing the LC connector, press the connector latch downward.

SC

Install the SC Connector into Transceiver Module

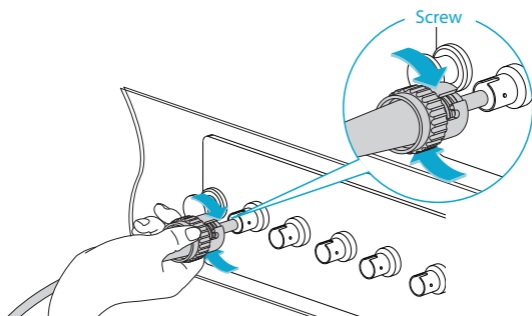


Install the SC Connector into Adapter



ST

Install the ST Connector into Adapter



FC

Install the FC Connector into Adapter

